

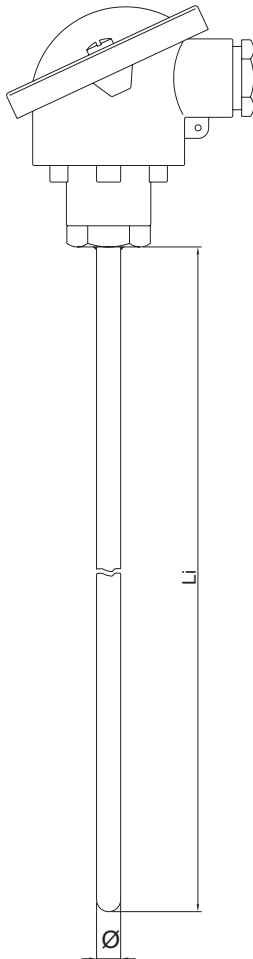


Main features

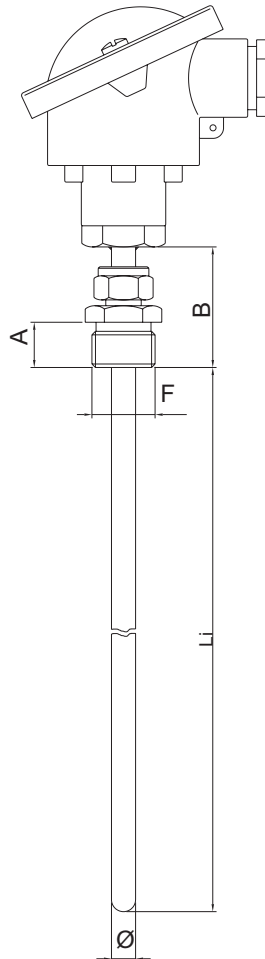
- 4...20mA Transmitter
- Amplified output signal
- Temperature Limits: -80 ... +600° C
- Tolerance: UNI 7937, IEC 751 standards:
 - ± 0.15° C a 0° C for class A (1/2 DIN)
 - ± 0.30° C a 0° C for class B (1 DIN)
 - ± 0.10° C a 0° C for class 1/3 DIN
- Compact mineral insulated (MgO) resistance thermometer element (Pt100 at 0°C) and continuous metal sheath
- Application versatility

MODELS

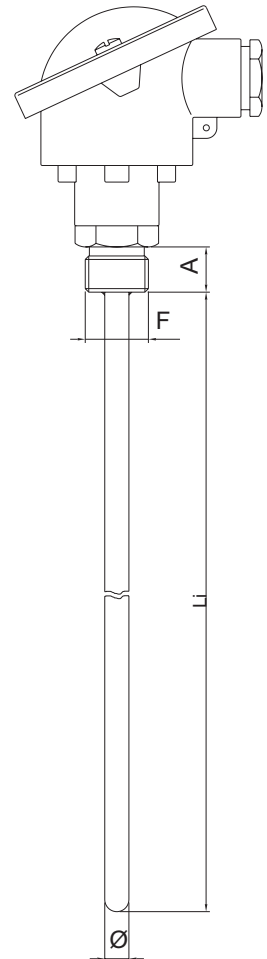
AR6M A
without fitting



AR6M B
with adjustable
compression fitting



AR6M D
with welded fitting
under the head



ORDER CODE

A R 6 M | 0 0 0 X 0 0 0 X | | | | | A

CODE

Model	
Without fitting	A
With adjustable compression fitting	B
With welded fitting under the head	D

Element + Nr. of Wires	
Single 2 wires	1
Single 3 wires	2

Precision Class	
PT100 class A (1/2 DIN)	A
PT100 class B (1 DIN)	B
PT100 class (1/3 DIN)	C

Connection Head	
DIN B	C
DIN BUS	E
EEX d IIC 2GD	F
CEAA	H

Sheath Material	
AISI 316	C

Sheath Diameter (mm)	
3	E*
4.5	G
6	I

(*) Not available with double element

Connection Thread *		
1/8" GAS	"A"= 10mm	A
1/4" GAS	"A"= 12mm	B
3/8" GAS	"A"= 15mm	C
1/2" GAS	"A"= 15mm	D
1/8" NPT		G
1/4" NPT		H
3/8" NPT		I
1/2" NPT		J

(*) To be shown for B, D models only

Connection Material *	
Nickel-Plated Brass	1**
300 Series Stainless Steel	2

(*) To be shown for B, D models only

(**) Available for AR6MB model only

Certificates	
A	Conformity Report

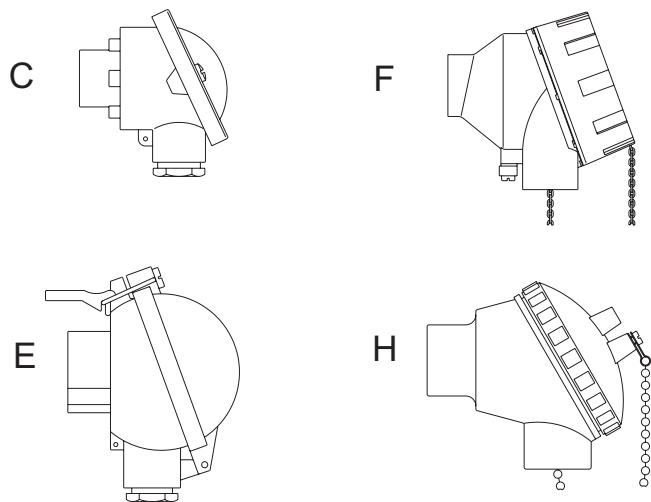
LENGTHS AND ACCESSORIES

Type of Transmitter	
A	4 ÷ 20mA

Li = Immers. Length (mm)	
Standard length from 50 to 2000 mm with 100 mm step	
And from 2000 to 10000 mm with 500 mm step	

Temperature Range in which the Calibration has to be Made

T. min	T. max
<input type="text"/> °C	<input type="text"/> °C
<input type="text"/> 4mA	<input type="text"/> 20mA



MOUNT (F)	Mod. B		Mod. D
	A (mm)	B (mm)	A (mm)
G 1/8	10	35	10
G 1/4	12	35	12
G 3/8	15	40	15
G 1/2	15	40	15
1/8 NPT	11	35	11
1/4 NPT	16	40	16
3/8 NPT	16	40	16
1/2 NPT	20	45	20

MOUNT (F)	Availability of Mounts / Sheathing Diameter		
	ø3	ø4,5	ø6
G 1/8	x	x	x
G 1/4	x	x	x
G 3/8	-	x	x
G 1/2	-	x	x
1/8 NPT	x	x	x
1/4 NPT	x	x	x
3/8 NPT	-	x	x
1/2 NPT	-	x	x

Sensors amplifiers are manufactured in compliance with:

- EMC 2014/30/EU compatibility directive
- RoHS 2011/65/EU directive

GEFRAN spa reserves the right to make any kind of design or functional modification at any moment without prior notice